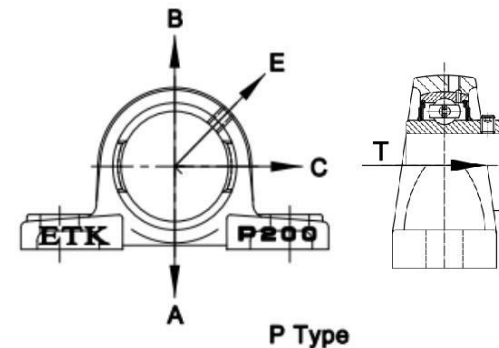
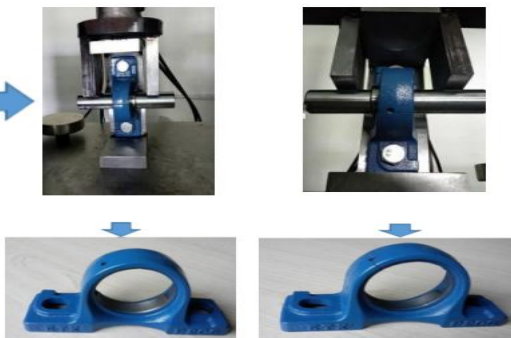
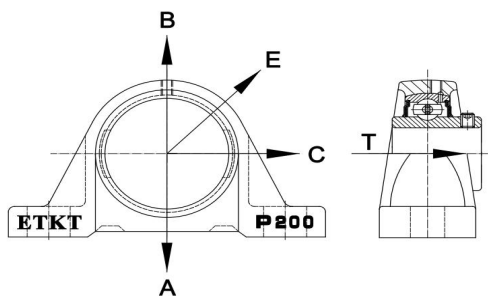


HEBEI YITAIKE BEARING CO.,LTD

ETK升级产品性能对比表

Performance Comparison Table of ETK Upgrade Products

型号	极限转速		载荷										耐高温级别		寿命		重量kg			
ITEM	Maximum Speed		Loading /KN										Temperature		Life Hour (h)		Net weight			
	ETK	ETK-plus	ETK	ETK-plus	ETK	ETK-plus	ETK	ETK-plus	ETK	ETK-plus	ETK	ETK-plus	ETK	ETK-plus	ETK	ETK-plus	ETK	ETK-plus		
			A		C		B		E		T									
UCP205	3400	5100	99.50	199.00	57.10	114.20	37.90	75.80	28.00	56.00	15.00	30.00	120°	180°			605	1210	0.79	0.85
UCP206	2800	4200	120.00	240.00	62.00	124.00	47.50	95.00	32.20	64.40	17.10	34.20			735	1470	1.25	1.40		
UCP207	2400	3600	137.00	274.00	72.20	144.40	54.00	108.00	37.70	75.40	20.70	41.40			857	1714	1.58	1.70		
UCP208	2200	3300	152.10	304.20	82.00	164.00	61.10	122.20	43.60	87.20	23.00	46.00			935	1870	1.90	2.20		
UCP209	1900	2850	167.00	334.00	101.00	202.00	70.50	141.00	49.10	98.20	27.10	54.20			1083	2166	2.11	2.30		
UCP210	1800	2700	181.70	363.40	112.60	225.20	74.00	148.00	57.00	114.00	32.20	64.40			1143	2286	2.67	2.90		
UCF205	3400	5100	99.50	199.00	57.10	114.20	37.90	75.80	28.00	56.00	15.00	30.00			605	1210	0.74	0.90		
UCF206	2800	4200	120.00	240.00	62.00	124.00	47.50	95.00	32.20	64.40	17.10	34.20			735	1470	1.05	1.30		
UCF207	2400	3600	137.00	274.00	72.20	144.40	54.00	108.00	37.70	75.40	20.70	41.40			857	1714	1.43	1.70		
UCF208	2200	3300	152.10	304.20	82.00	164.00	61.10	122.20	43.60	87.20	23.00	46.00			935	1870	1.87	2.10		
UCF209	1900	2850	167.00	334.00	101.00	202.00	70.50	141.00	49.10	98.20	27.10	54.20			1083	2166	2.18	2.30		
UCF210	1800	2700	181.70	363.40	112.60	225.20	74.00	148.00	57.00	114.00	32.20	64.40			1143	2286	2.600	2.70		



Housing Never Break ,Bearing Long Lifetime!